

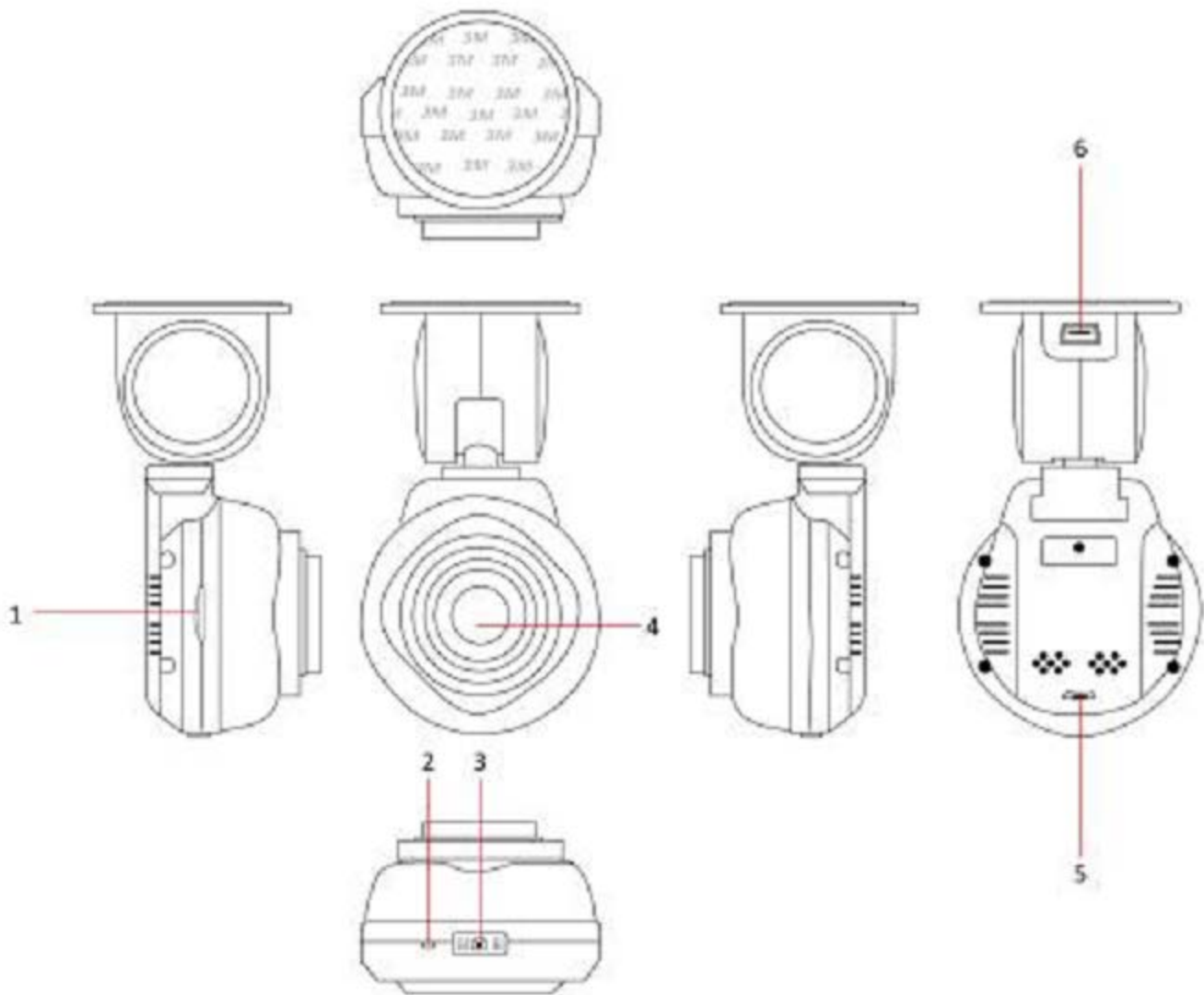


TE-DVR-W User Manual



iBeamUSA.com
MetraDealer.com
techsupport@metra-autosound.com

TE-DVR-W Components



- A) Micro-SD card slot
- B) Reset button
- C) Power and camera button
- D) Camera lens
- E) LED indicator light
- F) Micro USB connector

TE-DVR-W Features

Power and camera button

- When power is supplied to the TE-DVR-W it will turn on automatically. Press and hold the power button for 3 seconds to turn off the TEDVR-W. The TE-DVR-WE will automatically save the video file(s) after it has been turned off.
- While not actively recording, a short press of the power button will take a picture.

Reset button

- A short press in the reset hole with a paper clip will reboot the TE-DVR-W.

L.E.D. indicator light

- In video recording mode the blue light will flash once every second.
- If the battery is low the red light will illuminate solid.
- When in standby mode the blue light will illuminate solid.

Wi-Fi function

- The Wi-Fi feature will activate automatically after the TE-DVR has been turned on.

App installation

- For iOS devices, locate and install the app titled "WiCarDV" from the app store.
- For Android device, locate and install the app titled "WifiCarDV" from the Play Store.



Wi-Fi connection

- Press the power button to turn the TE-DVR-W on. From the mobile device, locate the Wi-Fi connection "8136s_XXXXXX", then enter 1234567890 for the password. Press "Consistant" to pair to the TE-DVR-W. The pairing will be complete when the blue indicator on the TE-DVR-W illuminates solid blue.

Basic operation

- Once the TE-DVR-W is powered on it will automatically start recording. The blue indicator light will flash once every second while powered on. After the TE-DVR-W has been powered off, the video files recorded will automatically be saved to the micro-SD flash drive (not included). If the flash drive is full, older video files will be overwritten by the most current files. There are 3 options which can be set in the mobile app—1minute/ 3minutes/ 5 minutes—for each video segment. The video files will be saved to a folder in the flash drive titled "DCIM".

Picture snapshot

- With the TE-DVR powered on, a short press of the power button will take a picture. The resolution can be set within the app. The picture will be saved as a JPEG file.

G-Sensor

- The TE-DVR-W is equipped with a built-in sensor and will automatically record if the if the vehicle has been impacted. It will lock the video file and prohibit it from being overwritten unless deleted manually. The name for the video file will begin with “EVE” to denote the unique video file. The sensitivity for the G-Sensor can be adjusted within the app.

Technical Specifications

Battery	140mAH
Camera Sensor	GC2023
Image Format	JPEG
Language	English
Lens	6G +1 IR lens
Microphone	Built in
Parking Image	No
Power Interface	5V 1A
Screen	No
Storage	Maximum 32GB
TF Card	Micro-SD
Video Format	MP4
Video Output	No
Viewing Angle	110 degree

IMPORTANT

If you are having difficulties with the installation of this product, please contact our Tech Support Department at 1-800-253-TECH. Before doing so, look over the Instructions a second time, and make sure the installation was performed exactly as the instructions are stated. Please have the vehicle apart and ready to perform troubleshooting steps before calling.



800.221.0932

iBeamUSA.com

460 Walker Street, Holly Hill, FL 32117



KNOWLEDGE IS POWER

Enhance your installation and fabrication skills by enrolling in the most recognized and respected mobile electronics school in our industry. Log onto www.installerinstitute.com or call 800-354-6782 for more information and take steps toward a better tomorrow.



**Metra recommends MECP
certified technicians**