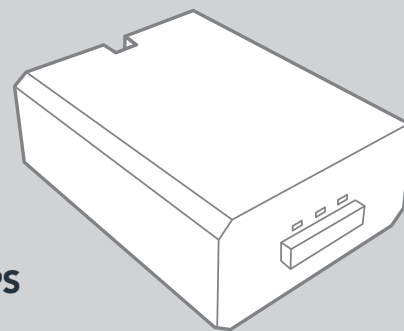


AUTOCONNECT

COMMANDER



Model:
AC200GPS

VEHICLE CONTROLS AND GPS TRACKING

Start, lock and unlock your vehicle from anywhere with your Smartphone plus add all the GPS tracking features of the AC100. Control a broad-range of after-market remote starters and ensure your commands are completed with True 2-Way technology.

Keep your car warm in the winter and cool in the summer. Always know the status of your locks, voltage and temperature. AutoConnect is the perfect way to stay connected to your vehicle or the young driver in your household with optional GPS tracking features.



REMOTE START

Start your vehicle from anywhere



KEYLESS ENTRY

Lock/unlock your vehicle doors/trunk



VEHICLE STATUS

Check runtime, voltage and temperature



SECURITY

Protection when you're not there



IMMOBILIZE

Prevent your vehicle from being started



REAL-TIME GPS

Locate your vehicle from anywhere



COMMANDER SERVICE PLANS



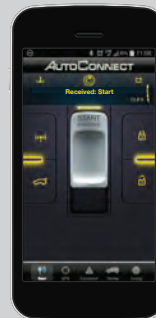
AIRTIME PLANS	Connect	Gps	Gps+	Auto Track5	Auto Track3	Auto Track 1
VEHICLE CONTROL / ALARM FEATURES						
Engine Start / Stop	•	•	•	•	•	•
Door Lock / Unlock	•	•	•	•	•	•
Trunk Release	•	•	•	•	•	•
Alarm / Intrusion Alerts*	•	•	•	•	•	•
2-Way Feedback	•	•	•	•	•	•
GPS FEATURES						
Auto Position Updating			20 Min**	5Min**	3Min**	1Min**
Unlimited On Demand Locates		•	•	•	•	•
Starter Disable On / Off	•	•	•	•	•	•
Voltage Request	•	•	•	•	•	•
Low Battery Warning w/Disconnect Alert	•	•	•	•	•	•
Programmable Input / Output	•	•	•	•	•	•
Vehicle Tow Alerts		•	•	•	•	•
Landmark Entrance / Exit Alerts		•	•	•	•	•
Geofence Breach Alert		•	•	•	•	•
Service Reminder (Virtual Odometer)		•	•	•	•	•
After hours Usage Detection		•	•	•	•	•
Over-speed Alert		•	•	•	•	•
Excessive Idling			•	•	•	•
Driver Coaching Beeper				•	•	•
Acceleration / Hard Braking Alerts				•	•	•
REPORTS						
Reporting: Asset by Location		•	•	•	•	•
Reporting: Over-speed by Location		•	•	•	•	•
Reporting: Excessive Idling by Location			•	•	•	•
Reporting: Service & Maintenance				•	•	•
Reporting: Overview by Vehicle				•	•	•

*These features are only compatible when status is provided.

**Reporting frequency when the ignition is on.

Installation: The Commander uses a databridge to communicate with "Smartphone Ready" Solace and Titan brand remote starters, Fortin, ADS and DEI bypass modules using Standalone or Remote Start firmware.

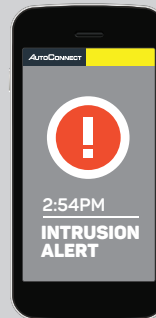
VEHICLE CONTROLS



Start, lock and unlock your vehicle from anywhere with your Smartphone and confirm that your commands were successfully completed with True 2-Way technology.

Start, stop, lock, unlock
Check voltage and runtime
Extend engine runtime
Auxiliary outputs

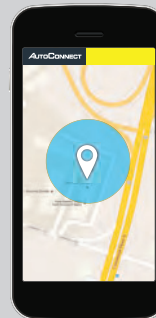
SECURITY SYSTEMS MONITORING



Get real-time text or email alerts if your vehicle's security alarm system has been triggered.

Alarm sounding
Door and hood intrusion
Battery back-up w/ disconnect alerts
Low battery alerts

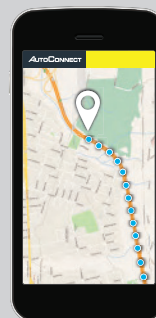
REAL-TIME GPS TRACKING



View the real-time location and driving history of your vehicle or vehicle fleet from your Smartphone or any connected device.

On demand location tracking
Landmark entrance/exit monitoring
Excessive idling and speed monitoring
After hours usage detection

ADVANCED AUTOTRACK REPORTING



Record the position and status of your vehicle or vehicle fleet automatically as it moves on Google Maps with AutoTrack service plans.

Live tracking
Reports each stop position
Arrival and departure times
Historical replay tool