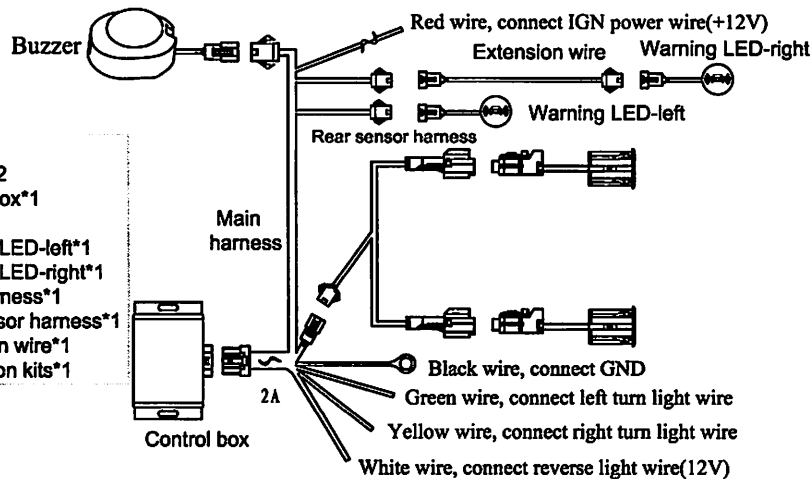


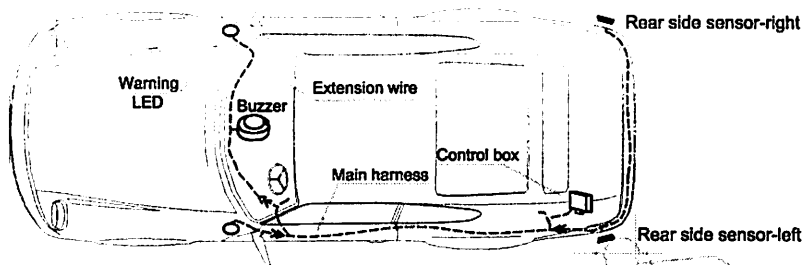
# Installation Guide (BSD1000)

## Product Constitution

- List :
- sensor \*2
  - control box\*1
  - buzzer\*1
  - warning LED-left\*1
  - warning LED-right\*1
  - main harness\*1
  - rear sensor harness\*1
  - extension wire\*1
  - installation kits\*1

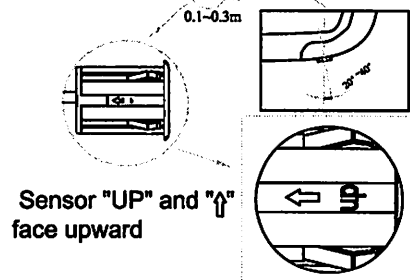


## Sensor Installation



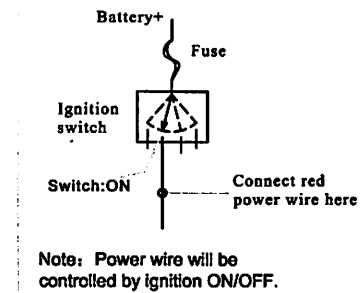
### Notice:

- Sensor installation height:0.5-0.7m. Sensor surface can't face ground or the system will give out false alarm easily;
- Please remove the burrs on the hole after drilling, ensure the size of the hole and make sure there's no sponge, metal board and plastic touching with sensor or the system will work abnormally (eg: false alarm);
- Rear side sensor should be installed at the side of the rear sensor.

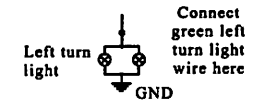


## Connection Guide

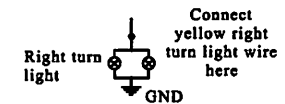
### 1. Connect power wire(red)



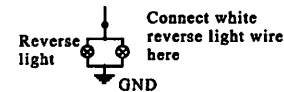
### 2. Connect left turn light wire (green)



### 3. Connect right turn light wire (yellow)



### 4. Connect reversing light wire(white)



### 5.Connect GND

Connect the ground ring (black wire) to a metal part on vehicle body.

## Remark of installation, examination and use

### 1.Installation

- This product is applied to 12V battery earth vehicle. Please validate the function before installation;
- In order to ensure the wire length and easy wire laying, please lay the control box at the left side of the trunk;
- Please connect the cable according to the label;
- Please make sure the wiring harness is fixed well and far away from vent-pipe and avoid pulling it heavily;
- Clip the two warning LEDs into the plastic weatherstrips on the A pillar.

### 2. FAQs

- The system is responseless after installed  
Please check the wiring connection and 2A fuse.
- The display alarms even there's no obstacle  
Please check if the sensor "UP" or "DOWN" faces up and the sensor doesn't face ground.
- False alarm when the vehicle high speed running  
Check the gap between front license and bumper, if it was too much, please fill the gap with sponge or press the license make it get close to the bumper.

### 3. USE

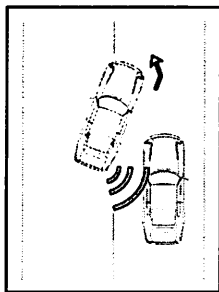
- Please exam the function after installation and before use;
- If there's ice or dirt on the surface of the sensor, please clean it immediately; paint will affect the detection ability;
- It will give out false alarm easily when running on slop, grassland or bumpy road;
- Obstacle like soft sponge, lubricous sphere and sharp thing can not be detected easily.

# Blind Spot Assist System

## Manual (BSD1000)

Function/Model No.	BSD1000	BSD1000D	BSD1000P
Blind Spot Assist	✓	✓	✓
Front Parking Assist			
Rear Parking Assist			✓

### Function One: blind spot assist (lane changing assist)

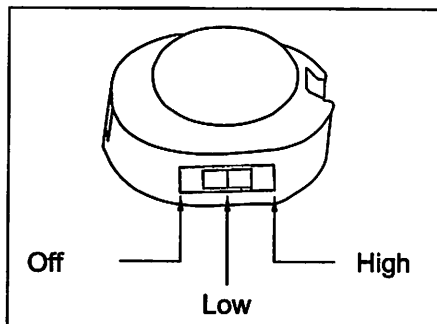


- \* When going forward, the two side sensors monitor the no zone of the two side mirrors, the warning lights will show the direction.
- \* When there's obstacle being detected by left or right sensor and turn at the corresponding direction, the warning light will flash and the buzzer will give out "bi-bi" warning, the display will show the turn side distance;
- \* The detection range is about 3m(lengthways)\*3m(transverse).

### Setup switches on the ECU

BSA Function	on (default)
	off
N/A	N/A
	N/A
Active mode of BSA sensor	All time (default)
	Turning
Sensitivity of the sensor	Normal (default)
	Low

### Setup switches on the Buzzer



\*Note: Blind Spot Assist System is just an auxiliary equipment, drivers need to take responsibility of driving safety.